

FIG. 1A PRIOR ART

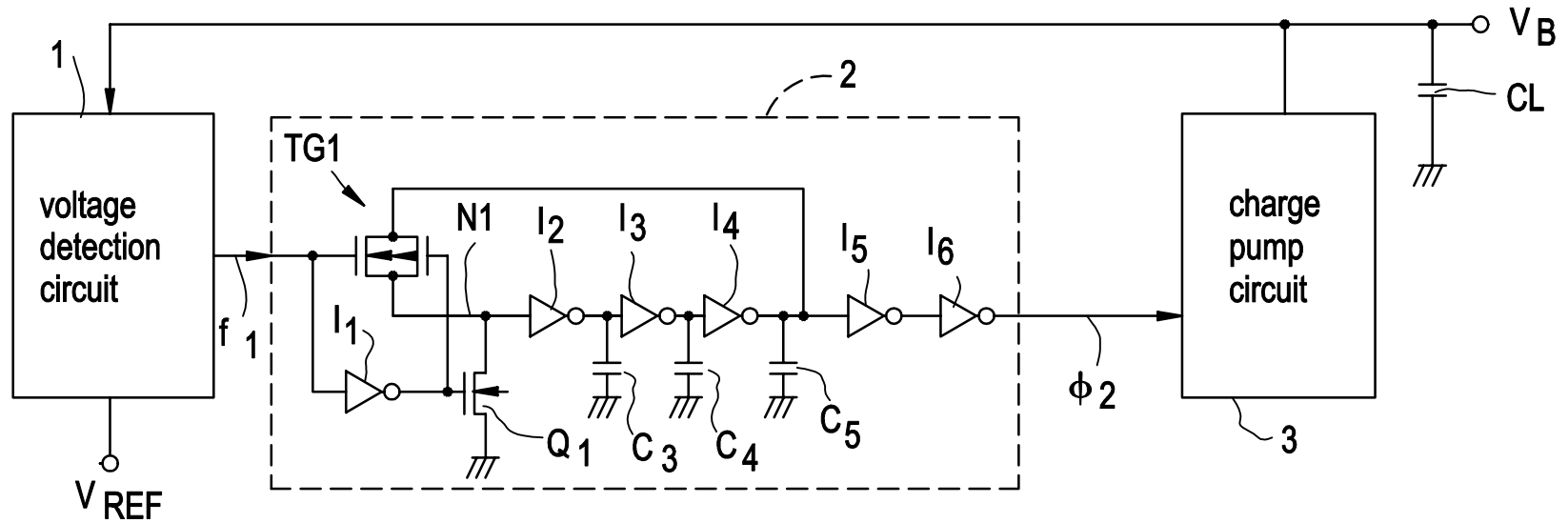


FIG. 1B PRIOR ART

